

Montana

MONTANA MINI

MONTANA ACADEMY

Dream bigger with Mini

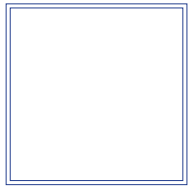
The **Montana Mini** series offers sleek, versatile storage solutions with a uniform depth of 25 cm and an ultra-slim 8 mm thickness. Made from durable Montana MDF, it combines timeless clean lines with lightweight design.

Certified with the **EU Ecolabel** and **Danish Indoor Climate Label**, Montana Mini is a safe, sustainable choice for your home, your loved ones and the environment.

The load capacity for the Mini is max. 10 kg.

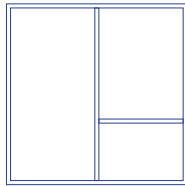


OPEN MODULE



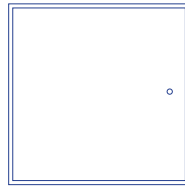
1001

WITH SHELVES



1002

WITH DOOR



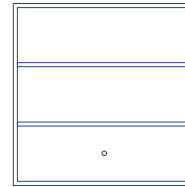
1003

WITH SHELVES



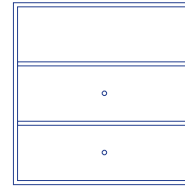
1004

WITH 1 DRAWER



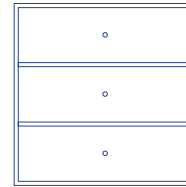
1005

WITH 2 DRAWERS

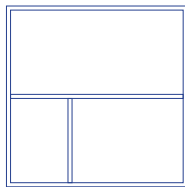


1006

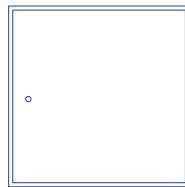
WITH 3 DRAWERS



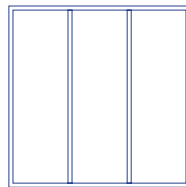
1007



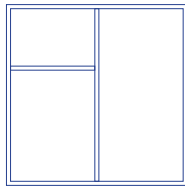
1102



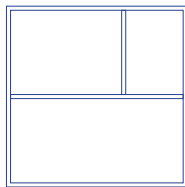
1103



1104



1202



1302

Front view



TOP PANEL - SINGLE
2004



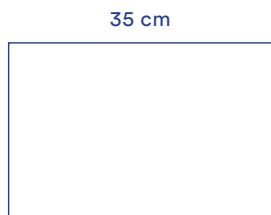
TOP PANEL - DOUBLE
2005

Front view

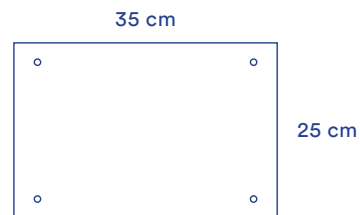


PLINTH H 3 cm
MPLI

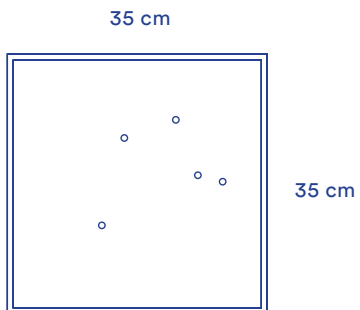
Top view



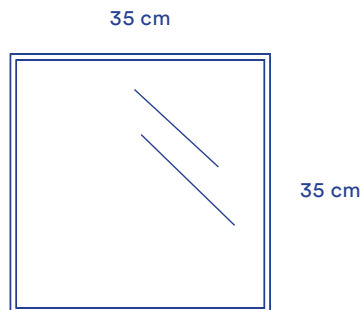
Top view



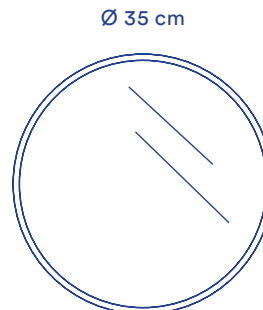
Front view



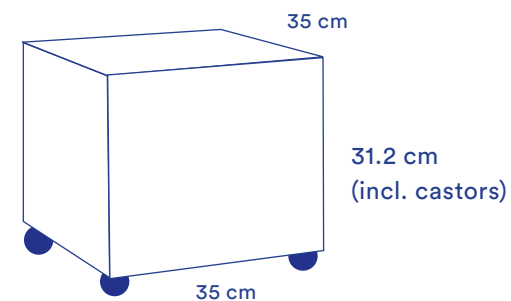
NOTICE BOARD
MBOARD



MIRROR SQUARE
MSQ



MIRROR ROUND
MCI



MINI PLAY
MP1001



04
Anthracite



09
Nordic



38
New White



159
Camomile



168
Clay



142
Amber



167
Ruby



145
Rosehip



148
Flint



144
Fennel



Colours

Colours are never static, never boring, never quite the same.

They interact with sunlight, with other colours in their surroundings and the items you add to them.

The Montana Mini colour palette features 10 poetic and complex colours, developed in collaboration with colour expert Margrethe Odgaard, to have both a visual and sensory appeal, all intertwined in a close-knit family that will match no matter how you choose to combine them.



MONTANA
Mini on plinth or wall mounted

Mounting

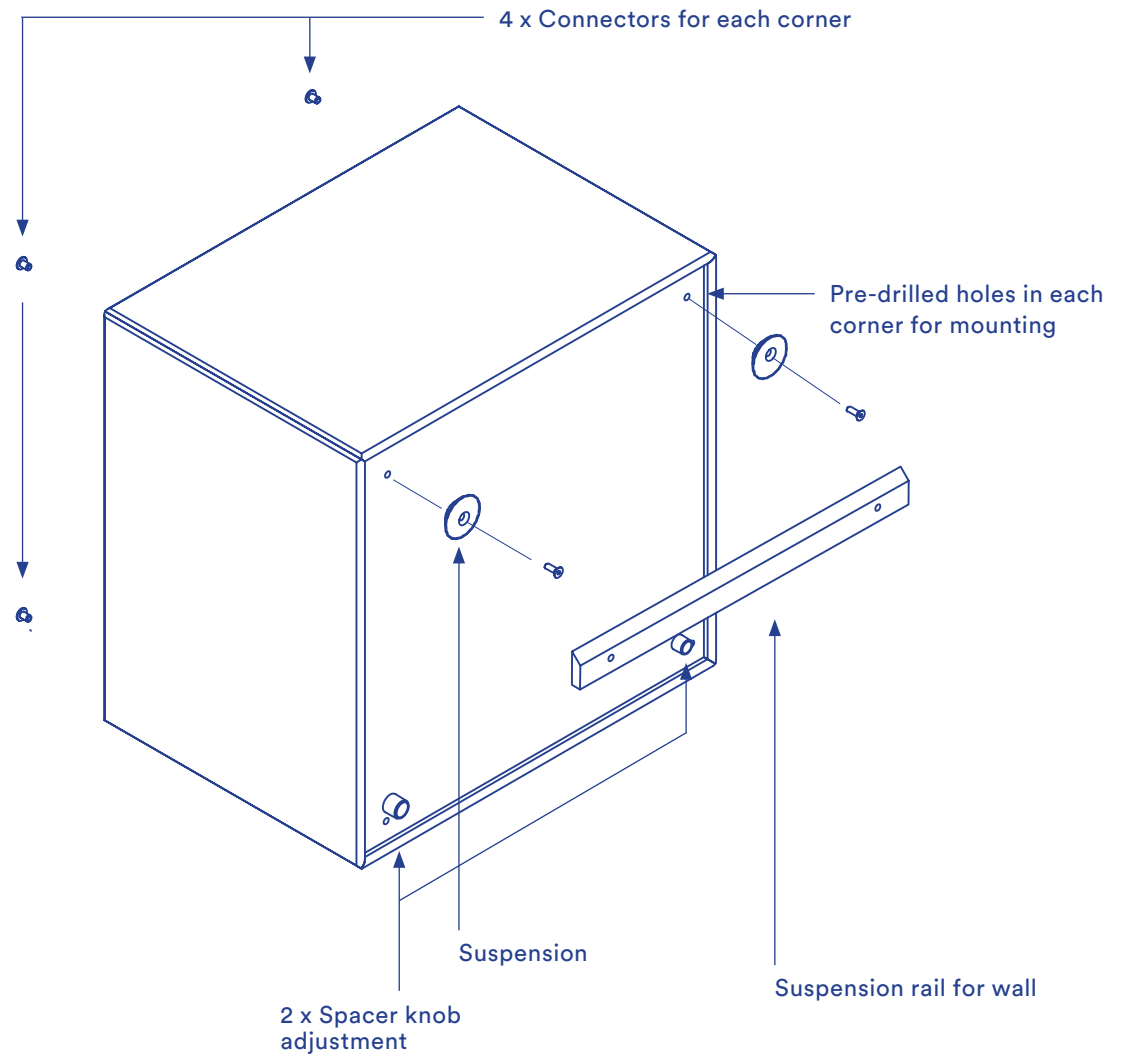
The mounting has been simplified so that the holes are pre-drilled in all four corners of the Mini.

This allows the modules to be flipped and turned the desired way

Montana Mini is flexible and demanding less space and therefore works as a multi room system.



All Minis now come with pre-drilled holes for mouting and the suspension. A plinth can be purchased for modules placed on the floor.





Handles and magnets matching colour and size

Montana Mini is always delivered with matching handles in the selected lacquer colour.

The handles and magnets are downsized so they match the lighter look and composition of the Mini.

The handles are Ø9 mm.

The magnets are Ø12 mm.



MONTANA
Montana Mini Mirror and Notice board



Top plates

Top plates 2005 and 2004 are in 8 mm. MDF and available in same 10 colours as the Mini System.

The Montana Mini is available as Quickship with an estimated delivery within 6-8 days.



Mini Play

The Mini Play box is the newest Mini addition and was launched in 2022. The CR70 (70 mm) castors are delivered loose and must be attached manually.

The measurement is matching the Mini 35 x 35 cm - height 31.2 incl. castors.

The Mini Play is available in all 10 Mini colours for quick ship with an estimated delivery within 6-8 days.



MONTANA
Mini on suspension rail

Unique selling points

- Danish design
- Made in Denmark
- 10 year guarantee
- EU Ecolabel
- Scandinavian Craftmanship
- High Quality
- Environment-friendly
- Uniquely Created Colours
- Endless Possibilities
- Total Flexibility
- Timeless



EU Ecolabel

The EU Ecolabel is a label of environmental excellence. Recognized across Europe and worldwide.

Awarded to products that meet high environmental standards throughout their life cycle. Less waste and less CO₂ during production. Durable, easy to repair and recyclable quality and design.

The EU Ecolabel provides exigent guidelines and offers third party controls and audits.



Always updated on..

Montana Website

Digital Showroom



Montana